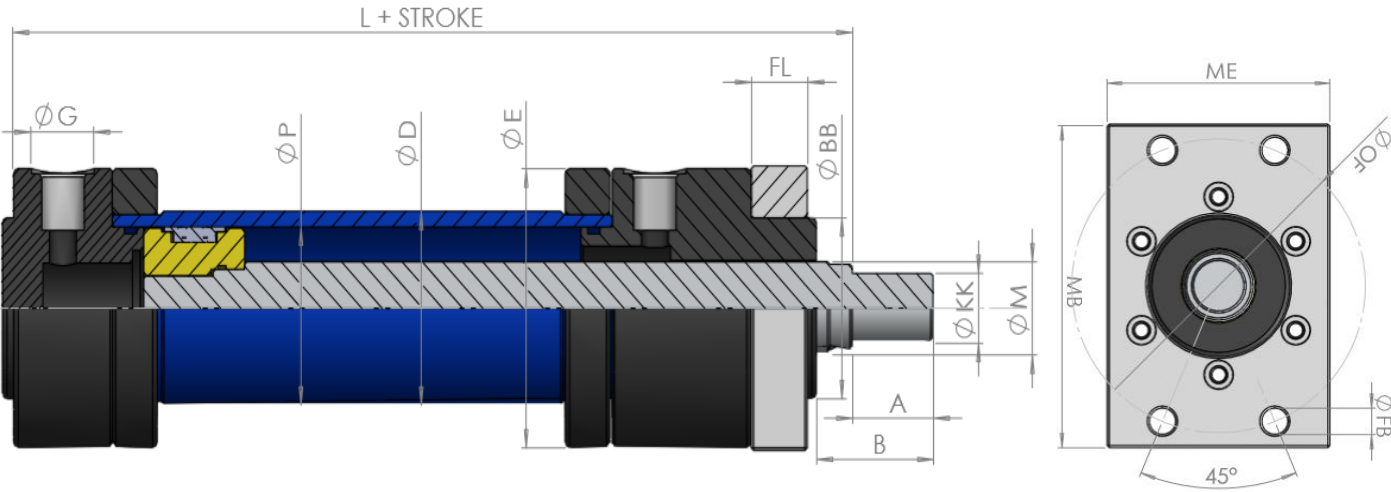
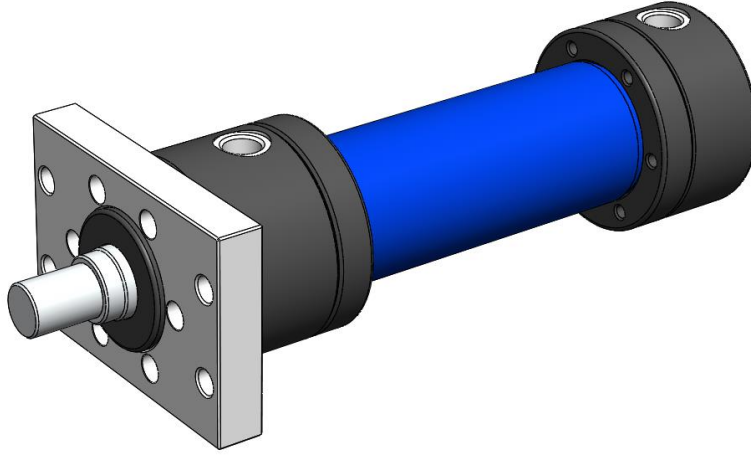


CETOP R58 H/ISO 6020/1

Çift tesirli hidrolik silindir KS370 B serisi (normal milli)



ØP	Ø32	Ø40	Ø50	Ø63	Ø80	Ø100	Ø125	Ø140	Ø160	Ø180	Ø200
M	18	22	28	36	45	56	70	80	90	100	100
A	18	22	28	36	45	56	63	75	85	90	95
B	31	35	42	52	63	76	86	100	110	120	125
C	50	54	66	81	99	113	123	140	151	165	170
BB	40	50	60	70	85	106	132	145	160	185	200
D	40	50	60	75	95	115	145	160	180	210	245
E	68	78	98	108	129	158	186	210	240	255	296
G	R1/4	R3/8	R1/2	R1/2	R1/2	R3/4	R3/4	R3/4	R1	R1	R1
KK	M14x 1.5	M16x 1.5	M20x 1.5	M27x 2.0	M33x 2.0	M42x 2.0	M48x 2.0	M56x 2.0	M64x 3.0	M72x 3.0	M80x 3.0
L	-	-	-	-	-	-	-	-	-	-	-
FB	9	9	11	13	17.5	22	22	22	22	26	33
MB	105	115	140	160	182	220	252	280	-	340	415
ME	70	80	90	110	125	150	180	205	240	260	300
OF	92	106	126	145	165	200	235	260	280	320	369
FL	16	16	20	25	32	32	32	35	36	40	42